



TiWi-SL™

802.11 b/g Wi-Fi® Module with
Application Processor

PRODUCT DESCRIPTION

TiWi-SL is the industry's first industrial temp-rated 802.11 b/g Wi-Fi module. It has been designed for simple connectivity to the industry's most popular microcontroller platforms. It utilizes Texas Instruments' CC3000 SimpleLink™ technology to move nearly all the functions required for Wi-Fi off the host processor and onto the module.



Actual size (14 mm x 21 mm)

FEATURES AND BENEFITS

- Implement Wi-Fi applications quickly with TI SimpleLink™ API
- On-module TCP/IP stack, Wi-Fi driver, and security supplicant
- Small footprint: 14 mm x 21 mm x 2.8 mm
- Industrial operating temperature: -40° to +85°C
- FCC (USA), IC (Canada) and ETSI (Europe) Module Certification
- Low memory footprint enables Wi-Fi connectivity with MCUs

Practical Applications:

Smart energy, HVAC control, Home entertainment control, home monitoring, Medical, Sensor networks, Toys

TIWI-SL MODULE PERFORMANCE

SPECIFICATION	VALUE
Footprint	14 mm x 21 mm x 2.3 mm
Operating Temp	-40 to +85° C
Operating Voltage	2.9 V to 3.6 V
WLAN Transmit Power	+18.0 dBm, 1 Mbps, CCK (b) +13.9 dBm, 54 Mbps, OFDM (g)
WLAN Sensitivity	-88 dBm, 8% PER, 11 Mbps -75 dBm, 10% PER, 54 Mbps

For full specifications on TiWi-SL, please refer to datasheet.

TECHNICAL DETAILS

802.11 b/g compliant
Low MIPS/CPU overhead

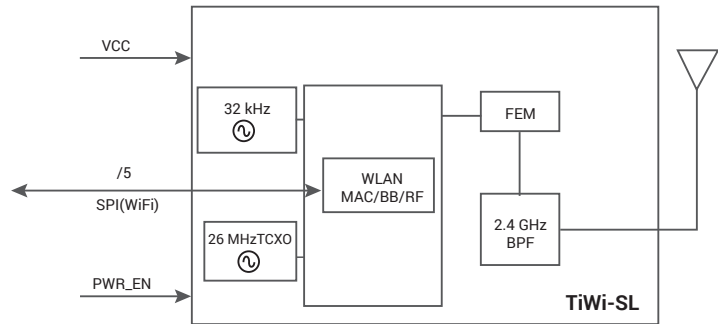
KEY FEATURES

On-Module TCP/IP stack, Wi-Fi driver, and security supplicant
TI SimpleLink™ provides very easy-to-use API with only ~35 commands
Small host footprint - as low as 6KB Flash, 3KB RAM

ORDER INFORMATION

PART NUMBER	DESCRIPTION
450-0067	TiWi-SL Module, Tray
450-0067R	TiWi-SL Module, Tape & Reel
450-0089	TiWi-SL EM Board with Chip Antenna

These LSR products are all REACH and EU ROHS compliant.



LSR is the leader in Wireless Product Development, offering true end-to-end solutions through its array of services and technical expertise.



Design Services

LSR delivers complete system solutions from concept to manufacturing. We are your wireless M2M solutions partner, providing complete turnkey services and solutions.

- RF Design/Engineering
- Software/Firmware Design
- Antenna Design
- Industrial Design
- Mechanical Engineering



EMC Testing & Certification

At LSR, we understand it is critical for your company to have a compliant product supported by the appropriate documentation, ready for deployment into the market. LSR provides the experience and knowledge to provide quality test services that meet your timeline and budget.

- On-Site FCC / IC /CE EMC Certification
- Wireless & Antenna Testing
- EMC Testing
- International Testing Services



Wireless Products

LSR offers the fastest, lowest cost way to add wireless capabilities to your product concept. LSR's fully-certified modules and antennas accelerate your time-to-market and support the full breadth of communication technologies, including:

- Wi-Fi®
- Bluetooth®
- Bluetooth® Smart
- ZigBee®
- 802.15.4 & proprietary protocols