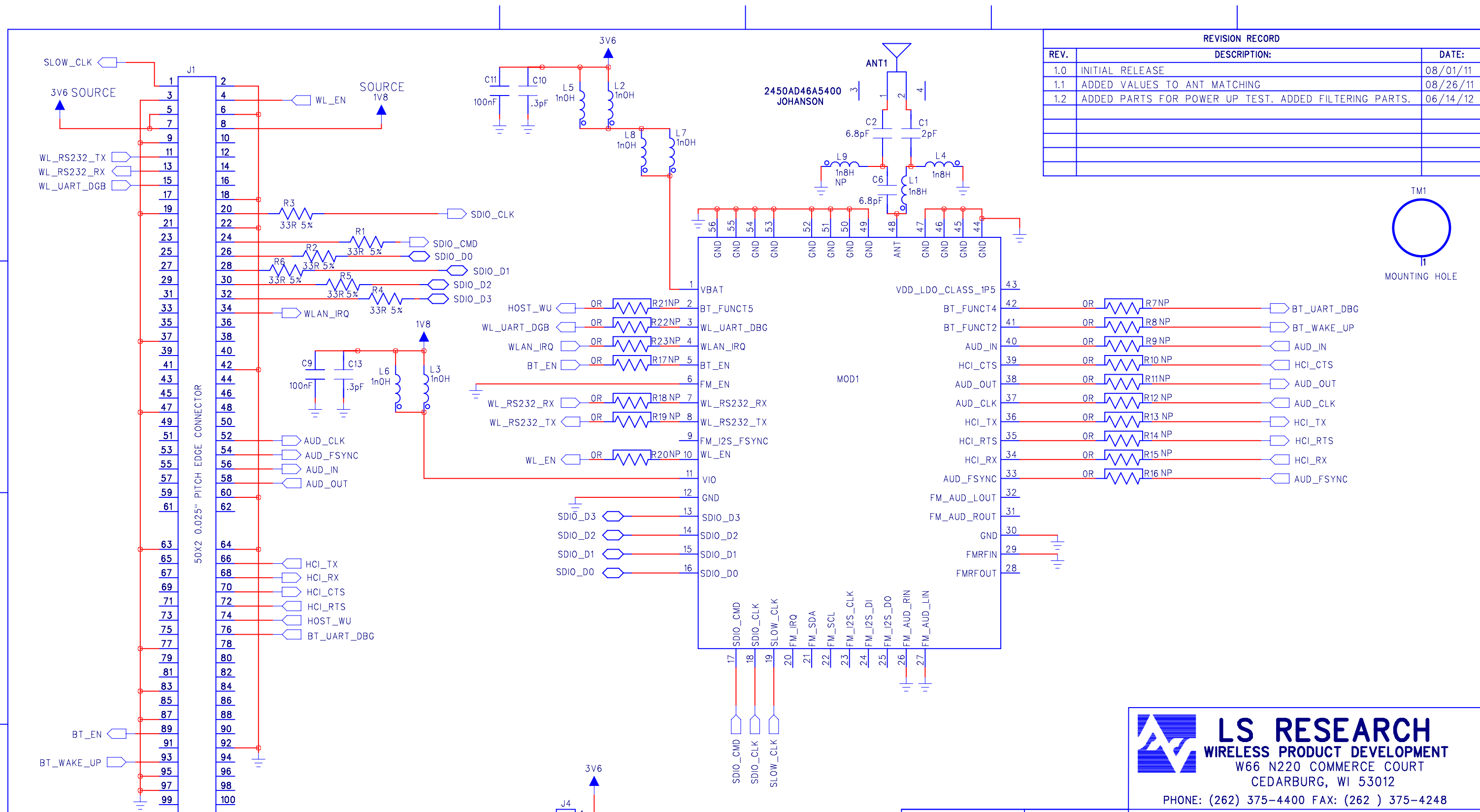
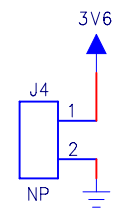


REVISION RECORD		
REV.	DESCRIPTION:	DATE:
1.0	INITIAL RELEASE	08/01/11
1.1	ADDED VALUES TO ANT MATCHING	08/26/11
1.2	ADDED PARTS FOR POWER UP TEST. ADDED FILTERING PARTS.	06/14/12



MATES TO SAMTEC MEC6-150-02-L-D-RA1
RIGHT ANGLE SMT CARD EDGE RECEPTACLE

NP



PCB1
LSR
750-00220
BARE PRINTED CIRCUIT BOARD

LS RESEARCH
WIRELESS PRODUCT DEVELOPMENT
W66 N220 COMMERCE COURT
CEDARBURG, WI 53012
PHONE: (262) 375-4400 FAX: (262) 375-4248

DRAWN BY: PGS	DATE: 06/14/12	TITLE: COM6L-T5 Adapter Board with Chip Antenna	
CHECKED BY: CMH	DATE: 06/14/12	PROJECT: COM6L-T5 Adapter Board with Chip Antenna	
APPROVED BY: JMB	DATE: 06/14/12	SIZE: B	DRAWING NO: 332-00220
FILENAME: 332-00220-R1.2.sch		SCALE: DO NOT	REV: 1.2
		SHEET: 1 OF 1	